



AF210162

Flat kitchen hood 200 series
Stainless steel handle bar
Width 60 cm
Air extraction/recirculation
Unobtrusive flat kitchen hood design thanks to integrated glass panel in the steam screen
Especially quiet operation thanks to integrated sound insulation
Steam screen extends by touching the handle bar
Especially high air output
Energy-saving, low-noise fan
Function for automatic, sensor-controlled power adjustment depending on the build-up of cooking vapours
Dimmable, neutral white LED light for ideal illumination of the whole cooktop
The patented lowering frame allows the flat kitchen hood to disappear completely into the upper cabinet
Air extraction or recirculation system
Recirculation module with activated charcoal filter: Silent and highly efficient air recirculation solution with odour reduction comparable to air extraction and long replacement intervals

Output

Performance and noise level, output level 3/Intensive:
Air output according to DIN EN 61591. Sound power level according to EN 60704-3. Sound pressure level according to EN 60704-13.
Air extraction:
515 / 953m³/h.
57 / 71 dB (A) re 1 pW.
Air recirculation:
497 / 885m³/h.
62 / 69 dB (A) re 1 pW.
Odour reduction air recirculation 91%.

Features

Controls at front.
Three electronically controlled power levels and an intensive mode.
Automatic function with sensor-controlled run-on function.
Grease filter saturation indicator.
Stainless steel grease filter, dishwasher-safe.
Neutral white LED light (3500 K), continuously dimmable.
Lamp output 2 x 1.5W LED light.
Illuminance: 355 lx
Light can be switched on separately.
Fan technology with highly efficient, brushless DC motor.
Integrated sound insulation for quiet operation.
The fan is activated when the steam screen is extended.
Patented technology for extension of the steam screen.
Extendable steam screen 198 mm.
Airflow-optimised interior for efficient air circulation and ease of cleaning.
Patented easy mounting system for simple installation.
The package includes an one-way flap.

Product rating

Energy efficiency class A at a range of energy efficiency classes from A+++ to D.
Energy consumption 40.3 kWh/year.
Ventilation efficiency class A.

Characteristics

Product name/family

Color chimney

Typology

Pull-out

Approval certificates

Australia Standards, CE, E17D UKCA marking, Eurasian, G-Mark, VDE

Length of electrical supply cord

175

Required niche size for installation

(HxWxD)

349mm x 524.0mm x 290mm

Height of the chimney

Height of product, without chimney

Minimum distance above an electric hob

430

Minimum distance above a gas hob

650

Net weight

13.7

Type of control

Electronic

Number of speed settings

Maximum output air extraction

514

Boost position output recirculating

649

Maximum output recirculating air

500

Boost position air extraction

953

Number of lights (Stck)

2

Noise level

57

Diameter of air outlet

120 / 150

Grease filter material

Washable stainless steel

EAN code

4242006294595

Connection rating

264

Fuse protection

10

Voltage

220-240

Frequency

50; 60

Plug type

CH plug w/ earthing, Gardy plug w/ earthing, GB plug

Installation type

Built-in

Consumption and connection features

created on 2022-06-15

Page 1

Illumination efficiency class A.

Grease filter efficiency class B.

Sound level min. 41 dB / max. 57 dB normal mode.

Planning notes

Patented air recirculation module with activated charcoal filter can be installed in the upper cabinet. The activated carbon filter can be changed from the front by simply pulling out the activated charcoal filter.

The door of the upper cabinet must be fully open in order to change the activated charcoal filter.

To be installed in an upper cabinet without base.

The required cavity depth of the upper cabinet together with the lowering frame measures 335 mm.

The required cavity height of the upper cabinet together with the lowering frame measures 600 mm.

Clearance above gas appliances min. 65 cm (more than total load gas 12 kW min. 70 cm).

Clearance above electric appliances min. 43 cm.

When installing a ventilation hood with air extraction mode and a chimney-vented fireplace, the hood's power supply line needs a suitable safety switch.

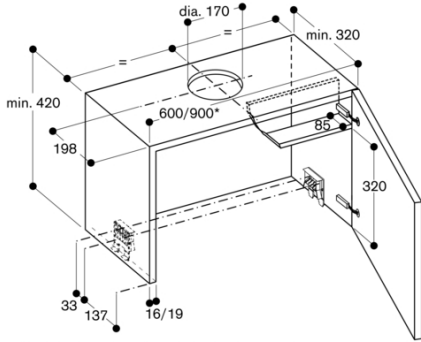
Connection

Total connected load 264 W.

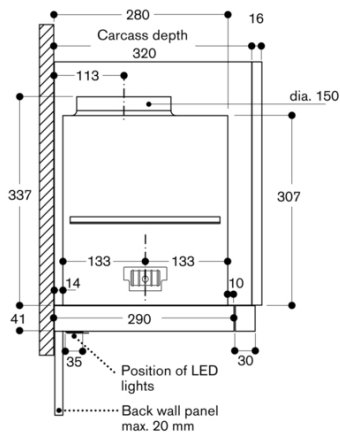
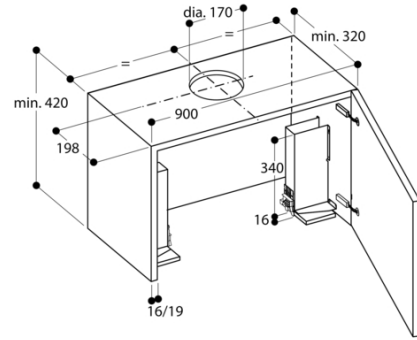
Connecting cable 1.8 m, pluggable.

For air recirculation an external air recirculation module is required.

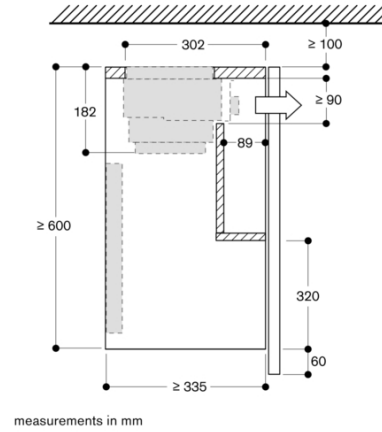
Upper cabinet for AF 210



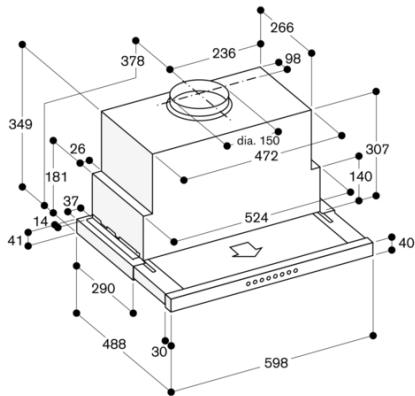
* for upper cabinets measuring 90 cm, the AA 210 491 installation set is required in addition



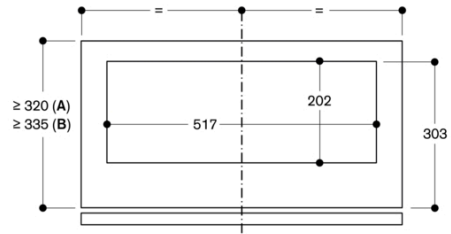
Cross-section of upper cabinet for AF210 with AA 211 812 and AA 210 492/460 lowering frame



measurements in mm

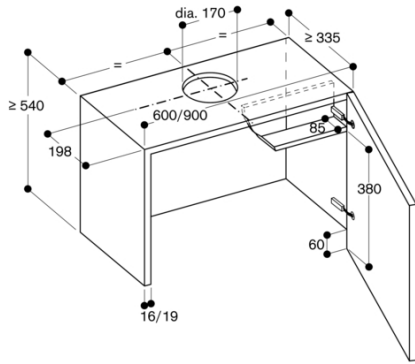


View of upper cabinet from above with AA 211 812



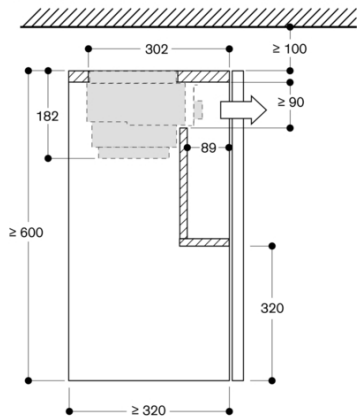
A: Appliance only
B: Appliance with lowering frame
measurements in mm

Upper cabinet for AF 210 with lowering frame



measurements in mm

Cross-section of upper cabinet for AF210 with AA 211 812



measurements in mm